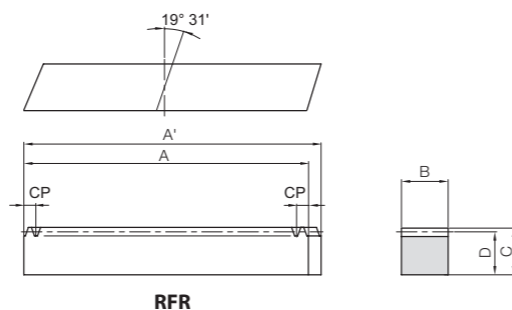




Specifications	
Precision grade	KHK R 001 grade 4
Reference section of gear	Normal plane
Gear teeth	Standard full depth
Normal pressure angle	20°
Helix angle/direction	19° 31' 41" right helix
Material	S45C
Heat treatment	—
Tooth hardness	(less than HB210)
Surface treatment	Black oxide coating

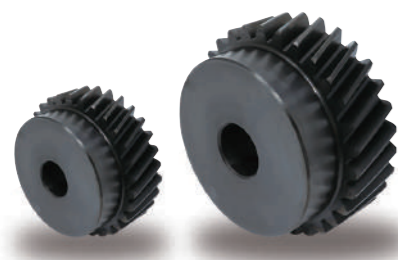


RFR

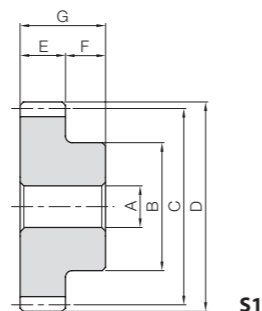
Catalog Number	Module (front pitch mm)	No. of teeth	Shape	Total Length		Face width	Height	Height to pitch line	
				A	A'			B	C
SRHEF1.5-1000R	m1.5 (CP5)	200	RFR	1000	1006.03	17	17	15.5	
SRHEF2-1000R	m2 (CP6.667)	150			1008.51	24	24	22	
SRHEF3-1000R	m3 (CP10)	100			1010.29	29	29	26	
SRHEF4-1000R	m4 (CP13.333)	75			1013.83	39	39	35	
SRHEF5-1000R	m5 (CP16.667)	60			1017.38	49	39	34	
SRHEF6-1000R	m6 (CP20)	50			1020.93	59	49	43	



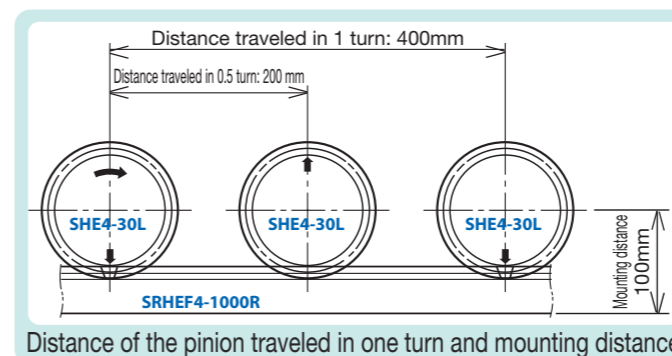
Bending strength	Surface durability	Allowable force (kgf)		Backlash (mm)	Weight (kg)	Catalog Number
		Bending strength	Surface durability			
2410	425	245	43.3	0.10~0.28	2.06	SRHEF1.5-1000R
4410	675	450	68.8	0.12~0.32	4.14	SRHEF2-1000R
8210	1650	837	168	0.15~0.39	5.91	SRHEF3-1000R
15200	2700	1550	275	0.19~0.47	10.7	SRHEF4-1000R
22500	4110	2300	419	0.21~0.52	13.1	SRHEF5-1000R
33400	7240	3410	738	0.23~0.57	19.9	SRHEF6-1000R



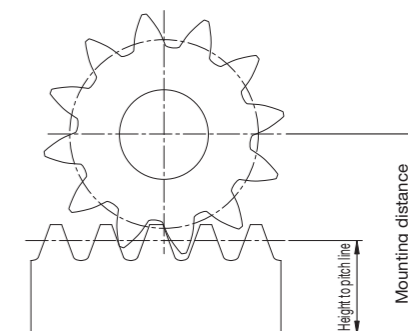
Specifications	
Precision grade	JIS grade N8 (JIS B1702-1:1998)
Reference section of gear	Normal plane
Gear teeth	Standard full depth
Normal pressure angle	20°
Helix angle/direction	19° 31' 41" left helix
Material	S45C
Heat treatment	—
Tooth hardness	(less than 194HB)
Surface treatment	Black oxide coating



S1



Distance of the pinion traveled in one turn and mounting distance



Mounting distance of profile helix gear and meshing rack

Catalog Number	Module (front pitch mm)	No. of teeth	Profile shift coefficient	Mounting distance	Shape	Bore	Hub dia.	Pitch dia.	Outside dia.	Face width	Hub width
						A _{H7}	B	C	D	E	F
SHE1.5-20L	m1.5 (CP5)	20	+0.390	32	S1	10	25	31.83	36	18	14
SHE1.5-25L		25	+0.404	36		12	35	39.79	44	18	14
SHE1.5-30L		30	+0.418	40		15	40	47.75	52	18	14
SHE2-18L	m2 (CP6.667)	18	+0.451	42		12	30	38.20	44	25	16
SHE2-24L		24	+0.268	48		15	45	50.93	56	25	16
SHE2-30L		30	+0.085	54		18	55	63.66	68	25	16
SHE3-20L	m3 (CP10)	20	+0.390	59		20	55	63.66	72	30	20
SHE3-25L		25	+0.404	67		20	70	79.58	88	30	20
SHE3-30L		30	+0.418	75		25	85	95.49	104	30	20
SHE4-18L	m4 (CP13.333)	18	+0.201	74		20	65	76.39	86	40	25
SHE4-24L		24	+0.268	87		20	90	101.86	112	40	25
SHE4-30L		30	+0.335	100		25	110	127.32	138	40	25
SHE5-18L	m5 (CP16.667)	18	+0.451	84	25	85	95.49	110	50	25	
SHE5-24L		24	+0.468	100	25	110	127.32	142	50	25	
SHE6-20L	m6 (CP20)	20	+0.390	109	30	110	127.32	144	60	28	
SHE6-25L		25	+0.404	125	30	140	159.15	176	60	28	

Total Length	Distance traveled in one turn Distance traveled (mm)	Allowable torque (N·m)		Allowable torque (kgf·m)		Backlash (mm)	Weight (kg)	Catalog Number
		Bending strength	Surface durability	Bending strength	Surface durability			
32	100	35.6	5.89	3.63	0.60	0.10~0.28	0.16	SHE1.5-20L
32	125	46.5	10.3	4.75	1.05		0.26	SHE1.5-25L
32	150	57.6	16.3	5.87	1.66		0.36	SHE1.5-30L
41	120	78.2	11.2	7.98	1.15	0.12~0.32	0.30	SHE2-18L
41	160	107	24.4	10.9	2.48		0.56	SHE2-24L
41	200	136	43.8	13.8	4.46		0.85	SHE2-30L
50	200	238	45.7	24.2	4.66	0.15~0.39	1.06	SHE3-20L
50	250	310	80.1	31.6	8.17		1.72	SHE3-25L
50	300	384	127	39.2	12.9		2.47	SHE3-30L
65	240	474	89.8	48.3	9.16	0.19~0.47	1.99	SHE4-18L
65	320	687	183	70.0	18.6		3.76	SHE4-24L
65	400	902	317	92.0	32.3		5.78	SHE4-30L
75	300	978	171	99.7	17.4	0.21~0.52	3.91	SHE5-18L
75	400	1380	354	141	36.1		6.95	SHE5-24L
88	400	1900	402	194	40.9	0.23~0.57	8.05	SHE6-20L
88	500	2480	705	253	71.9		12.8	SHE6-25L