

Material: SUS303

Catalog Number	Shape	Bore		Socket head screw			Flange diameter	Flange length	Hub width	Total length	Recommended fastening torque		Coupling torque		Weight (kg)
		A _{H7}	B	No.	Size	C					D	E	F	G	
SUKB20030	T8	10	30	6	M5	42	51	10	20	30	3.00	0.31	83	8.5	0.24
SUKB20046		10	46	6	M5	58	67	10	20	30	3.00	0.31	115	11.7	0.51
SUKB20066		10	66	6	M5	78	87	10	20	30	3.00	0.31	154	15.7	0.98
SUKB25038	T8	12	38	6	M6	53	63	12.5	24.5	37	5.20	0.53	151	15.4	0.48
SUKB25058		12	58	6	M6	73	83	12.5	24.5	37	5.20	0.53	208	21.2	1.00
SUKB25083		12	83	6	M6	98	108	12.5	24.5	37	5.20	0.53	280	28.5	1.91
SUKB30046	T8	15	46	6	M8	64	76	15	30	45	12.5	1.27	329	33.6	0.83
SUKB30070		15	70	6	M8	88	100	15	30	45	12.5	1.27	453	46.2	1.75
SUKB30100		15	100	6	M8	118	130	15	30	45	12.5	1.27	607	61.9	3.34

Features of Stainless Steel Hubs

- This is an attached stainless steel hub with excellent rust resistance.
- Perfectly matches with PSA Plastic Spur Gears, and suitable for food processing machinery.
- Efficient use of materials and superior cost performance for this product.

Coupling Torque for Stainless Steel Hubs

Coupling torque for Stainless Steel Hubs is calculated from the frictional force generated by the fastening torque at the contact face of the gear and the stainless steel hub.

Fastening Torque F(N) is calculated from the equation below.

$$F = \frac{n \cdot 1000 \cdot T}{K \cdot d}$$

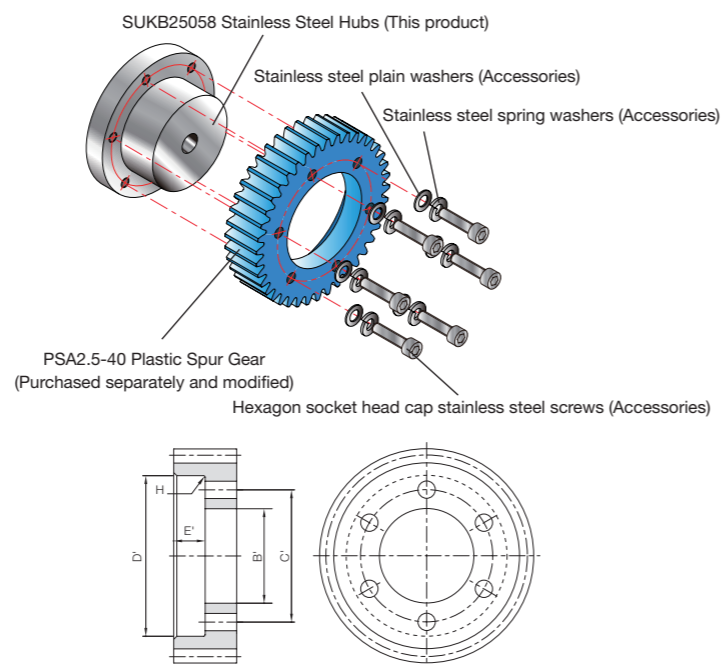
- n : Number → No. of threaded holes shown in the dimension table.
- T : Tightening torque (N·m) → Fastening torque shown in the dimension table.
- K : Torque coefficient → Set the value at 0.164
- d : Nominal diameter (mm) → Socket head screw size shown in the dimension table (M5 = 5mm)

Coupling torque T_r(N·m) is calculated from the equation below.

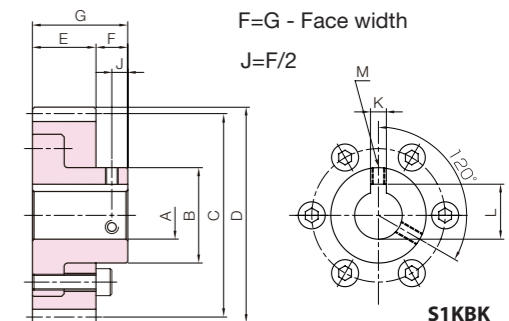
$$T_r = \frac{F \cdot \mu \cdot d_w}{2000}$$

- F : Fastening torque (N) → The value obtained from the calculation above.
- μ : Friction factor at the contact face of the gear and the stainless steel hub → Set the value at 0.18
- d_w : Pitch diameter of the threaded hole (mm) → Socket head screw size C shown in the dimension table

Assembly Example of Stainless Steel Hubs



Stainless Steel Hubs	Partner							
	Catalog Number	Bore	Drilled hole		Bore 2	Hole length	Accessories	
		B _{H8}	No.	Size	C'	D ⁺ ₀ ^{+0.1}	E _{±0.1}	Bolt (size)
SUKB20030	PSA2-32 ~ PSA2-36	30	6	φ 5.5	42	51	10	M5×20
SUKB20046	PSA2-40 ~ PSA2-48	46			58	67		
SUKB20066	PSA2-50 ~	66			78	87		
SUKB25038	PSA2.5-32 ~ PSA2.5-36	38	6	φ 6.6	53	63	12.5	M6×25
SUKB25058	PSA2.5-40 ~ PSA2.5-48	58			73	83		
SUKB25083	PSA2.5-50 ~	83			98	108		
SUKB30046	PSA3-32 ~ PSA3-36	46	6	φ 9	64	76	15	M8×30
SUKB30070	PSA3-40 ~ PSA3-48	70			88	100		
SUKB30100	PSA3-50 ~	100			118	130		



To order J Series products, please specify: **Catalog No. + J + BORE.**

Bore H7	* The product shapes of J Series items are identified by background color.																			
	10	12	14	15	16	17	18	19	20	22	25	28	30	32	35	40	45	50		
Keyway J _{S9}	4×1.8			5×2.3			6×2.8			8×3.3			10×3.3		12×3.3		14×3.8			
Screw size	M4				M5				M6				M8				M10			
PSUKB2-32 J BORE	S1KBK	S1KBK	S1KBK	S1KBK	S1KBK	S1KBK														
PSUKB2-35 J BORE	S1KBK	S1KBK	S1KBK	S1KBK	S1KBK	S1KBK														
PSUKB2-36 J BORE	S1KBK	S1KBK	S1KBK	S1KBK	S1KBK	S1KBK														
PSUKB2-40 J BORE	S1KBK	S1KBK	S1KBK	S1KBK	S1KBK	S1KBK	S1KBK	S1KBK	S1KBK	S1KBK	S1KBK	S1KBK	S1KBK							
PSUKB2-45 J BORE	S1KBK	S1KBK	S1KBK	S1KBK	S1KBK	S1KBK	S1KBK	S1KBK	S1KBK	S1KBK	S1KBK	S1KBK	S1KBK							
PSUKB2-48 J BORE	S1KBK	S1KBK	S1KBK	S1KBK	S1KBK	S1KBK	S1KBK	S1KBK	S1KBK	S1KBK	S1KBK	S1KBK	S1KBK							
PSUKB2-50 J BORE	S1KBK	S1KBK	S1KBK	S1KBK	S1KBK	S1KBK	S1KBK	S1KBK	S1KBK	S1KBK	S1KBK	S1KBK	S1KBK	S1KBK						
PSUKB2-55 J BORE	S1KBK	S1KBK	S1KBK	S1KBK	S1KBK	S1KBK	S1KBK	S1KBK	S1KBK	S1KBK	S1KBK	S1KBK	S1KBK	S1KBK	S1KBK	S1KBK	S1KBK	S1KBK		
PSUKB2-60 J BORE	S1KBK	S1KBK	S1KBK	S1KBK	S1KBK	S1KBK	S1KBK	S1KBK	S1KBK	S1KBK	S1KBK	S1KBK	S1KBK	S1KBK	S1KBK	S1KBK	S1KBK	S1KBK		
PSUKB2-65 J BORE	S1KBK	S1KBK	S1KBK	S1KBK	S1KBK	S1KBK	S1KBK	S1KBK	S1KBK	S1KBK	S1KBK	S1KBK	S1KBK	S1KBK	S1KBK	S1KBK	S1KBK	S1KBK		
PSUKB2-70 J BORE	S1KBK	S1KBK	S1KBK	S1KBK	S1KBK	S1KBK	S1KBK	S1KBK	S1KBK	S1KBK	S1KBK	S1KBK	S1KBK	S1KBK	S1KBK	S1KBK	S1KBK	S1KBK		
PSUKB2-75 J BORE	S1KBK	S1KBK	S1KBK	S1KBK	S1KBK	S1KBK	S1KBK	S1KBK	S1KBK	S1KBK	S1KBK	S1KBK	S1KBK	S1KBK	S1KBK	S1KBK	S1KBK	S1KBK		
PSUKB2-80 J BORE	S1KBK	S1KBK	S1KBK	S1KBK	S1KBK	S1KBK	S1KBK	S1KBK	S1KBK	S1KBK	S1KBK	S1KBK	S1KBK	S1KBK	S1KBK	S1KBK	S1KBK	S1KBK		
PSUKB2-85 J BORE	S1KBK	S1KBK	S1KBK	S1KBK	S1KBK	S1KBK	S1KBK	S1KBK	S1KBK	S1KBK	S1KBK	S1KBK	S1KBK	S1KBK	S1KBK	S1KBK	S1KBK	S1KBK		
PSUKB2-90 J BORE	S1KBK	S1KBK	S1KBK	S1KBK	S1KBK	S1KBK	S1KBK	S1KBK	S1KBK	S1KBK	S1KBK	S1KBK	S1KBK	S1KBK	S1KBK	S1KBK	S1KBK	S1KBK		
PSUKB2-95 J BORE	S1KBK	S1KBK	S1KBK	S1KBK	S1KBK	S1KBK	S1KBK	S1KBK	S1KBK	S1KBK	S1KBK	S1KBK	S1KBK	S1KBK	S1KBK	S1KBK	S1KBK	S1KBK		
PSUKB2-100 J BORE	S1KBK	S1KBK	S1KBK	S1KBK	S1KBK	S1KBK	S1KBK	S1KBK	S1KBK	S1KBK	S1KBK	S1KBK	S1KBK	S1KBK	S1KBK	S1KBK	S1KBK	S1KBK		
PSUKB2.5-32 J BORE		S1KBK	S1KBK	S1KBK	S1KBK	S1KBK	S1KBK	S1KBK	S1KBK	S1KBK	S1KBK	S1KBK	S1KBK							
PSUKB2.5-35 J BORE		S1KBK	S1KBK	S1KBK	S1KBK	S1KBK	S1KBK	S1KBK	S1KBK	S1KBK	S1KBK	S1KBK	S1KBK							
PSUKB2.5-36 J BORE		S1KBK	S1KBK	S1KBK	S1KBK	S1KBK	S1KBK	S1KBK	S1KBK	S1KBK	S1KBK	S1KBK	S1KBK							
PSUKB2.5-40 J BORE		S1KBK	S1KBK	S1KBK	S1KBK	S1KBK	S1KBK	S1KBK	S1KBK	S1KBK	S1KBK	S1KBK	S1KBK	S1KBK	S1KBK	S1KBK	S1KBK	S1KBK		
PSUKB2.5-45 J BORE		S1KBK	S1KBK	S1KBK	S1KBK	S1KBK	S1KBK	S1KBK	S1KBK	S1KBK	S1KBK	S1KBK	S1KBK	S1KBK	S1KBK	S1KBK	S1KBK	S1KBK		
PSUKB2.5-48 J BORE		S1KBK	S1KBK	S1KBK	S1KBK	S1KBK	S1KBK	S1KBK	S1KBK	S1KBK	S1KBK	S1KBK	S1KBK	S1KBK	S1KBK	S1KBK	S1KBK	S1KBK		
PSUKB2.5-50 J BORE		S1KBK	S1KBK	S1KBK	S1KBK	S1KBK	S1KBK	S1KBK	S1KBK	S1KBK	S1KBK	S1KBK	S1KBK	S1KBK	S1KBK	S1KBK	S1KBK	S1KBK		
PSUKB2.5-55 J BORE		S1KBK	S1KBK	S1KBK	S1KBK	S1KBK	S1KBK	S1KBK	S1KBK	S1KBK	S1KBK	S1KBK	S1KBK	S1KBK	S1KBK	S1KBK	S1KBK	S1KBK		
PSUKB2.5-60 J BORE		S1KBK	S1KBK	S1KBK	S1KBK	S1KBK	S1KBK	S1KBK	S1KBK	S1KBK	S1KBK	S1KBK	S1KBK	S1KBK	S1KBK	S1KBK	S1KBK	S1KBK		
PSUKB3-32 J BORE			S1KBK	S1KBK	S1KBK	S1KBK	S1KBK	S1KBK	S1KBK	S1KBK	S1KBK	S1KBK	S1KBK							
PSUKB3-35 J BORE			S1KBK	S1KBK	S1KBK	S1KBK	S1KBK	S1KBK	S1KBK	S1KBK	S1KBK	S1KBK	S1KBK							
PSUKB3-36 J BORE			S1KBK	S1KBK	S1KBK	S1KBK	S1KBK	S1KBK	S1KBK	S1KBK	S1KBK	S1KBK	S1KBK							
PSUKB3-40 J BORE			S1KBK	S1KBK	S1KBK	S1KBK	S1KBK	S1KBK	S1KBK	S1KBK	S1KBK	S1KBK	S1KBK	S1KBK	S1KBK	S1KBK	S1KBK	S1KBK		
PSUKB3-45 J BORE			S1KBK	S1KBK	S1KBK	S1KBK	S1KBK	S1KBK	S1KBK	S1KBK	S1KBK	S1KBK	S1KBK	S1KBK	S1KBK	S1KBK	S1KBK	S1KBK		
PSUKB3-48 J BORE			S1KBK	S1KBK	S1KBK	S1KBK	S1KBK	S1KBK	S1KBK	S1KBK	S1KBK	S1KBK	S1KBK	S1KBK	S1KBK	S1KBK	S1KBK	S1KBK		
PSUKB3-50 J BORE			S1KBK	S1KBK	S1KBK	S1KBK	S1KBK	S1KBK	S1KBK	S1KBK	S1KBK	S1KBK	S1KBK	S1KBK	S1KBK	S1KBK	S1KBK	S1KBK		
PSUKB3-55 J BORE			S1KBK	S1KBK	S1KBK	S1KBK	S1KBK	S1KBK	S1KBK	S1KBK	S1KBK	S1KBK	S1KBK	S1KBK	S1KBK	S1KBK	S1KBK	S1KBK		
PSUKB3-60 J BORE			S1KBK	S1KBK	S1KBK	S1KBK	S1KBK	S1KBK	S1KBK	S1KBK	S1KBK	S1KBK	S1KBK	S1KBK	S1KBK	S1KBK	S1KBK	S1KBK		