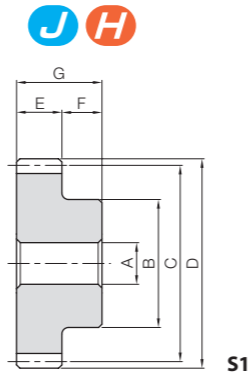




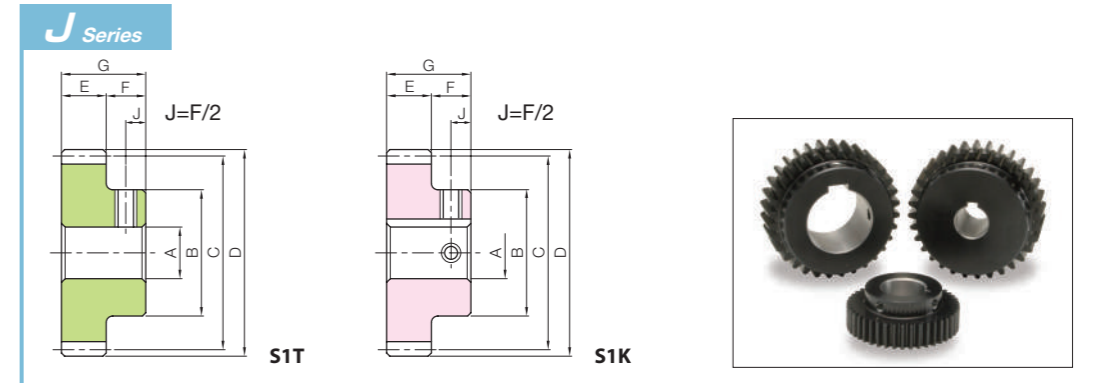
Specifications	
Precision grade	JIS grade N8 (JIS B 1702-1: 1998)
Gear teeth	Standard full depth
Pressure angle	20°
Material	SCM440
Heat treatment	Thermal refined
Tooth hardness	225 to 352HB
Surface treatment	Black oxide coating
Shape	S1



* The precision grade of J Series products is equivalent to the value shown in the table.

To order Hardened Plus, please specify Catalog No. + H. Example: KSSCP5-20H

Catalog Number	Pitch mm (Module)	No. of teeth	Bore AH7	Hub dia. B	Pitch dia. C	Outside dia. D	Face width E	Hub width F	Total length G	Distance traveled in one turn (mm)	Allowable torque						Backlash (mm)	Weight (kg)	
											Bending strength		Surface durability		Surface durability H				
											N·m	kgf·m	N·m	kgf·m	N·m	kgf·m			
KSSCP5-20	CP5 (1.5915)	20	8	25	31.83	35.01	15	15	30	100	41.8	4.27	12.7	1.30	17.0	1.73	0.09~0.27	0.14	
KSSCP5-25		25	10	32	39.79	42.97					56.5	5.76	20.8	2.12	28.8	2.93			0.22
KSSCP5-30		30	10	38	47.75	50.93					71.4	7.28	30.5	3.11	44.3	4.52			0.33
KSSCP5-40		40	12	50	63.66	66.85					102	10.4	56.1	5.72	86.2	8.79			0.58
KSSCP10-20	CP10 (3.1831)	20	15	50	63.66	70.03	30	20	50	200	335	34.1	110	11.2	141	14.4	0.14~0.37	0.99	
KSSCP10-25		25	20	60	79.58	85.94					452	46.1	180	18.3	239	24.4			1.49
KSSCP10-30		30	20	75	95.49	101.86					571	58.2	265	27.0	368	37.5			2.26
KSSCP10-40		40	20	80	127.32	133.69					814	83.0	487	49.7	718	73.2			3.66



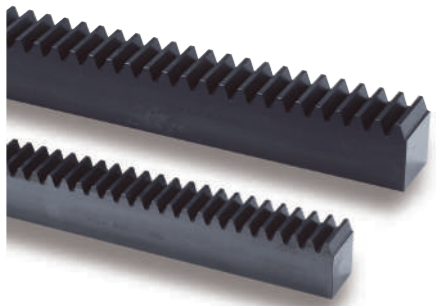
To order J Series products, please specify: Catalog No. + J + BORE. Example: KSSCP5-20J10

Bore H7	* The product shapes of J Series items are identified by background color.																							
	8	10	12	14	15	16	17	18	19	20	22	25	28	30	32	35	40	45	50					
Keyway JS9	-		4x1.8		5x2.3				6x2.8				8x3.3				10x3.3		12x3.3		14x3.8			
Screw size	-				M5				M4				M5				M6				M8		M10	
Catalog Number	M5		M4				M5				M6				M8				M10					
KSSCP5-20 J BORE	S1T	S1K	S1K																					
KSSCP5-25 J BORE		*S1K	*S1K	*S1K	*S1K	*S1K	*S1K																	
KSSCP5-30 J BORE		*S1K	*S1K	*S1K	*S1K	*S1K	*S1K	*S1K	*S1K	*S1K														
KSSCP5-40 J BORE			*S1K	*S1K	*S1K	*S1K	*S1K	*S1K	*S1K	*S1K	*S1K	*S1K	*S1K	*S1K										
KSSCP10-20 J BORE					*S1K	*S1K	*S1K	*S1K	*S1K	*S1K	*S1K	*S1K	*S1K	*S1K										
KSSCP10-25 J BORE															*S1K	*S1K	*S1K	*S1K	*S1K	*S1K				
KSSCP10-30 J BORE															*S1K	*S1K	*S1K	*S1K	*S1K	*S1K				
KSSCP10-40 J BORE															*S1K	*S1K	*S1K	*S1K	*S1K	*S1K				

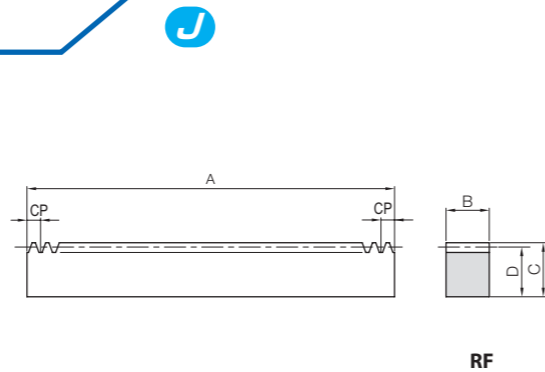
To order J Series Hardened Plus products, please specify: Catalog No. + H + J + BORE. Example: KSSCP5-20HJ10

** is a product with the original bore diameter, so Hardened Plus is not available. See Page 22 for more details on Hardened Plus.

CP KRCPF/KRCPFD Circular pitch 5, 10
CP Thermal Refined Racks



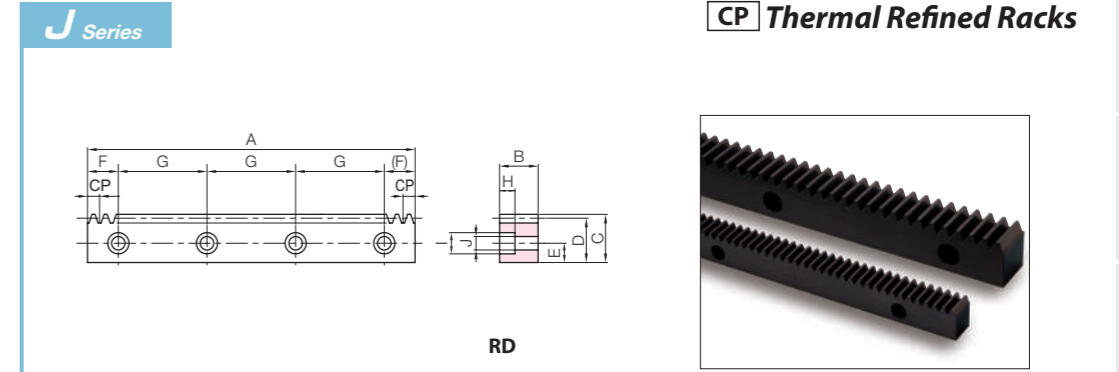
Specifications	
Precision grade	KHK R 001 Grade 4 *
Gear teeth	Standard full depth
Pressure angle	20°
Material	SCM440
Heat treatment	Thermal refining only
Tooth hardness	225 to 352HB
Surface treatment	Black oxide coating



* The precision grade of J Series products is equivalent to the value shown in the table.

Catalog Number	Pitch mm (Module)	No. of teeth	Shape	Total Length				Allowable force (N)				Allowable force (kgf)	
				A	B	C	D	Bending strength	Surface durability	Bending strength	Surface durability		
KRCPF5-500	CP5 (1.5915)	100	RF	500	15	20	18.41	3660	1040	373	106		
KRCPF5-1000		200		1000									
KRCPF10-500	CP10 (3.1831)	50	RF	500	30	35	31.82	14600	4480	1490	457		
KRCPF10-1000		100		1000									

Catalog Number	Pitch mm (Module)	No. of teeth	Shape	Total Length				Mounting hole dimensions				
				A	B	C	D	E	F	G	No. of holes	Screw size
● KRCPFD5-500J	CP5 (1.5915)	100	RD	500	15	20	18.41	8	25	150	4	M5
● KRCPFD5-1000J		200		1000								
● KRCPFD10-500J	CP10 (3.1831)	50	RD	500	30	35	31.82	14	25	150	4	M10
● KRCPFD10-1000J		100		1000								



Backlash (mm)	Weight (kg)	Catalog Number
0.09~0.27	1.08 2.17	KRCPF5-500 KRCPF5-1000
0.14~0.37	3.75 7.49	KRCPF10-500 KRCPF10-1000

Counterbore dimensions			Allowable force (N)		Allowable force (kgf)		Backlash (mm)	Weight (kg)	Catalog Number
H	I	J	Bending strength	Surface durability	Bending strength	Surface durability			
6	10	6	3660	1040	373	106	0.09~0.27	1.06 2.13	● KRCPFD5-500J ● KRCPFD5-1000J
10.8	17.5	11	14600	4480	1490	457	0.14~0.37	3.61 7.29	● KRCPFD10-500J ● KRCPFD10-1000J