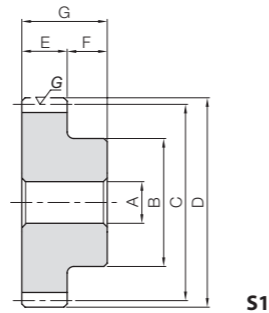


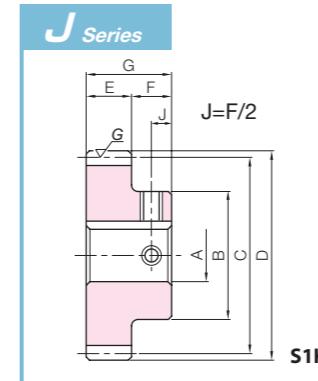


Specifications	
Precision grade	JIS grade N6 (JIS B 1702-1: 1998)
Gear teeth	Standard full depth
Pressure angle	20°
Material	SCM440
Heat treatment	Thermal refined, gear teeth induction hardened
Tooth hardness	50 to 60HRC
Surface treatment	Black oxide coated except for teeth
Shape	S1

* The precision grade of J Series products is equivalent to the value shown in the table.



S1



S1K

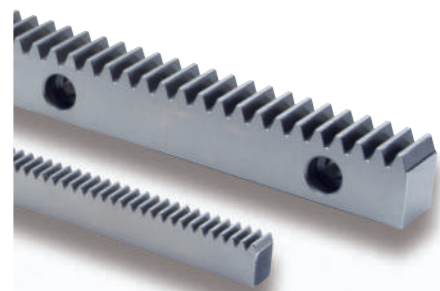


To order J Series products, please specify: **Catalog No. + J + BORE.**

Catalog Number	Pitch mm (Module)	No. of teeth	Profile shift coefficient	Mounting distance	Bore		Pitch dia.	Outside dia.	Face width	Hub width	Total length	Distance traveled in one turn (mm)	Allowable torque (N·m)		Allowable torque (kgf·m)		Backlash (mm)	Weight (kg)	
					A _{H7}	B							Bending strength	Surface durability	Bending strength	Surface durability			
KSCPG5-20	CP5 (1.5915)	20	+0.425	35	10	25	31.83	36.37	15	15	30	100	44.7	21.3	4.55	2.17	0.04~0.14	0.14	
KSCPG5-25		25	+0.438	39	10	35	39.79	44.37					125	58.6	35.6	5.98			3.63
KSCPG5-30		30	+0.451	43	15	40	47.75	52.37					150	72.8	54.3	7.42			5.54
KSCPG5-40		40	+0.478	51	15	55	63.66	68.37					200	101	104	10.3			10.6
KSCPG10-20	CP10 (3.1831)	20	+0.111	64	15	50	63.66	70.73	30	20	50	200	328	171	33.4	17.4	0.05~0.16	1.01	
KSCPG10-25		25	+0.124	72	20	70	79.58	86.73					250	440	286	44.9			29.2
KSCPG10-30		30	+0.137	80	20	85	95.49	102.73					300	554	437	56.5			44.5
KSCPG10-40		40	+0.164	96	25	110	127.32	134.73					400	786	841	80.1			85.8

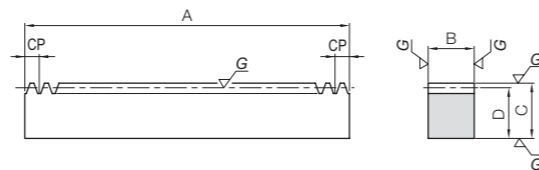
Bore H7	* The product shapes of J Series items are identified by background color.																					
	10	12	14	15	16	17	18	19	20	22	25	28	30	32	35	40	45	50				
Keyway JS9	4x1.8				5x2.3				6x2.8				8x3.3				10x3.3		12x3.3		14x3.8	
Screw size	M4				M5				M6				M8				M10					
Catalog Number																						
KSCPG5-20 J BORE	S1K	S1K																				
KSCPG5-25 J BORE	S1K	S1K	S1K	S1K	S1K	S1K	S1K	S1K														
KSCPG5-30 J BORE				S1K	S1K	S1K	S1K	S1K	S1K	S1K												
KSCPG5-40 J BORE				S1K	S1K	S1K	S1K	S1K	S1K	S1K	S1K	S1K	S1K	S1K								
KSCPG10-20 J BORE										S1K	S1K	S1K	S1K	S1K	S1K							
KSCPG10-25 J BORE										S1K	S1K	S1K	S1K	S1K	S1K	S1K	S1K					
KSCPG10-30 J BORE										S1K	S1K	S1K	S1K	S1K	S1K	S1K	S1K	S1K				
KSCPG10-40 J BORE										S1K	S1K	S1K	S1K	S1K	S1K	S1K	S1K	S1K				

KRGCPF-H/KRGCPFD-H Circular pitch 5, 10
CP Hardened Ground Racks

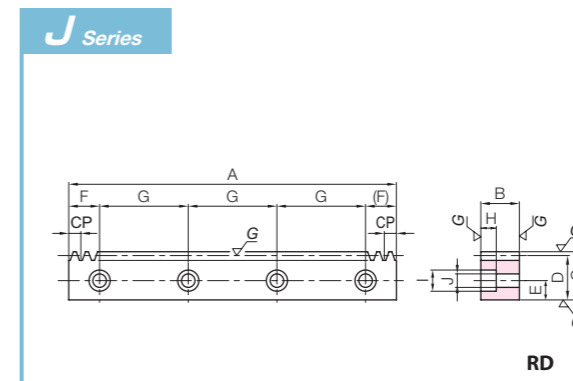


Specifications	
Precision grade	KHK R 001 Grade 1 *
Gear teeth	Standard full depth
Pressure angle	20°
Material	SCM440
Heat treatment	Thermal refined, gear teeth induction hardened
Tooth hardness	50 to 60HRC

* The precision grade of J Series products is equivalent to the value shown in the table.



RF



RD

CP Ground Racks

Catalog Number	Pitch mm (Module)	No. of teeth	Shape	Total Length	Face width	Height	Height to pitch line	Allowable force (N)		Allowable force (kgf)		Backlash (mm)	Weight (kg)
				A	B	C	D	Bending strength	Surface durability	Bending strength	Surface durability		
KRGCPF5-500H	CP5 (1.5915)	100	RF	500	15	20	18.41	3660	2270	373	232	0.04~0.14	1.08
KRGCPF5-1000H		200		1000									
KRGCPF10-500H	CP10 (3.1831)	50	RF	500	30	35	31.82	14600	9150	1490	933	0.05~0.16	3.75
KRGCPF10-1000H		100		1000									

* CP30 and ground racks with total lengths up to (A) 1500mm and heights up to (C) 120mm are also available by request as custom-made products.

Catalog Number	Pitch mm (Module)	No. of teeth	Shape	Total Length	Face width	Height	Height to pitch line	Mounting hole dimensions				
				A	B	C	D	E	F	G	No. of holes	Screw size
● KRGCPFD5-500HJ	CP5 (1.5915)	100	RD	500	15	20	18.41	8	25	150	4	M5
● KRGCPFD5-1000HJ				1000								
● KRGCPFD10-500HJ	CP10 (3.1831)	50	RD	500	30	35	31.82	14	25	150	4	M10
● KRGCPFD10-1000HJ				1000								

Counterbore dimensions			Allowable force (N)		Allowable force (kgf)		Backlash (mm)	Weight (kg)	Catalog Number
H	I	J	Bending strength	Surface durability	Bending strength	Surface durability			
6	10	6	3660	2270	373	232	0.04~0.14	1.06 2.13	● KRGCPFD5-500HJ ● KRGCPFD5-1000HJ
10.8	17.5	11	14600	9150	1490	933	0.05~0.16	3.61 7.28	● KRGCPFD10-500HJ ● KRGCPFD10-1000HJ