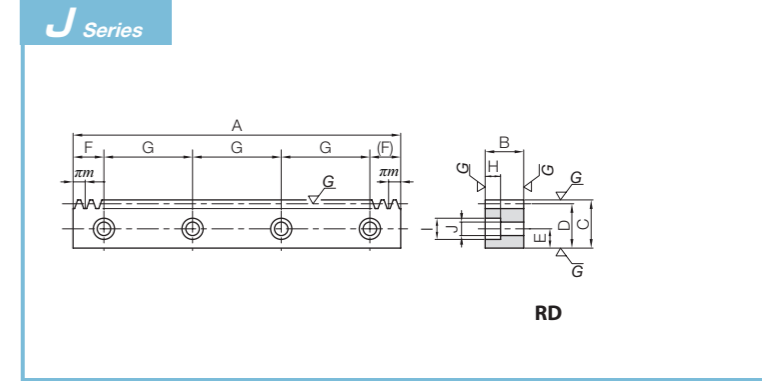
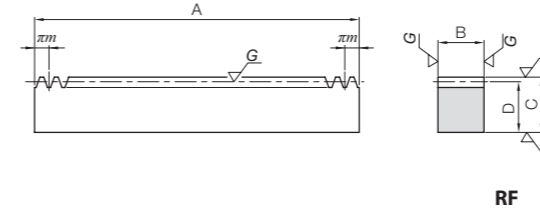
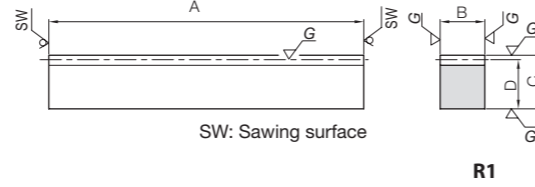


Specifications	
Precision grade	KHK R 001 grade 1
Gear teeth	Standard full depth
Pressure angle	20°
Material	SCM440
Heat treatment	Thermal refining only
Tooth hardness	225 to 352HB

\* The precision grade of J Series products is equivalent to the value shown in the table.



Catalog Number	Module	Effective number of teeth	Shape	Total Length				Allowable force (N)				Allowable force (kgf)	
				A	B	C	D	Bending strength	Surface durability	Bending strength	Surface durability		
<b>KRG1-100</b>	<b>m1</b>	29	R1	98	10	15	14	1530	641	156	65.3		
<b>KRG1.5-100</b>	<b>m1.5</b>	20		101	15	20	18.5	3450	1440	352	147		
<b>KRG2-100</b>	<b>m2</b>	14		98	20	25	23	6130	2560	625	261		
<b>KRG2.5-100</b>	<b>m2.5</b>	11		100	25	30	27.5	9580	4010	977	408		
<b>KRG3-100</b>	<b>m3</b>	9		101	30	35	32	13800	5770	1410	588		

Backlash (mm)	Weight (kg)	Catalog Number
0.04~0.14	0.11	<b>KRG1-100</b>
0.04~0.14	0.22	<b>KRG1.5-100</b>
0.05~0.16	0.35	<b>KRG2-100</b>
0.05~0.16	0.54	<b>KRG2.5-100</b>
0.05~0.16	0.76	<b>KRG3-100</b>

Catalog Number	Module	No. of teeth	Shape	Total Length				Allowable force (N)				Allowable force (kgf)	
				A	B	C	D	Bending strength	Surface durability	Bending strength	Surface durability		
<b>KRGF1-500</b> <b>KRGF1-1000</b>	<b>m1</b>	159 318	RF	499.51 999.03	10	15	14	1530	641	156	65.3		
<b>KRGF1.5-500</b> <b>KRGF1.5-1000</b>	<b>m1.5</b>	106 212		499.51 999.03	15	20	18.5	3450	1440	352	147		
<b>KRGF2-500</b> <b>KRGF2-1000</b>	<b>m2</b>	80 160		502.65 1005.31	20	25	23	6130	2560	625	261		
<b>KRGF2.5-500</b> <b>KRGF2.5-1000</b>	<b>m2.5</b>	64 128		502.65 1005.31	25	30	27.5	9580	4010	977	408		
<b>KRGF3-500</b> <b>KRGF3-1000</b>	<b>m3</b>	53 106		499.51 999.03	30	35	32	13800	5770	1410	588		

Backlash (mm)	Weight (kg)	Catalog Number
0.04~0.14	0.55 1.49	<b>KRGF1-500</b> <b>KRGF1-1000</b>
0.04~0.14	1.09 2.18	<b>KRGF1.5-500</b> <b>KRGF1.5-1000</b>
0.05~0.16	1.82 3.63	<b>KRGF2-500</b> <b>KRGF2-1000</b>
0.05~0.16	2.71 5.43	<b>KRGF2.5-500</b> <b>KRGF2.5-1000</b>
0.05~0.16	3.76 7.53	<b>KRGF3-500</b> <b>KRGF3-1000</b>

Catalog Number	Module	No. of teeth	Shape	Total Length				Mounting hole dimensions				No. of holes	Screw size
				A	B	C	D	E	F	G			
● <b>KRGFD1-500J</b> ● <b>KRGFD1-1000J</b>	<b>m1</b>	159 318	RD	499.51 999.03	10	15	14	6	24.76 49.51	150 180	4 6	M4	
● <b>KRGFD1.5-500J</b> ● <b>KRGFD1.5-1000J</b>	<b>m1.5</b>	106 212		499.51 999.03	15	20	18.5	8	24.76 49.51	150 180	4 6	M5	
● <b>KRGFD2-500J</b> ● <b>KRGFD2-1000J</b>	<b>m2</b>	80 160		502.65 1005.31	20	25	23	10	26.33 52.65	150 180	4 6	M6	
● <b>KRGFD2.5-500J</b> ● <b>KRGFD2.5-1000J</b>	<b>m2.5</b>	64 128		502.65 1005.31	25	30	27.5	12	26.33 52.65	150 180	4 6	M8	
● <b>KRGFD3-500J</b> ● <b>KRGFD3-1000J</b>	<b>m3</b>	53 106		499.51 999.03	30	35	32	14	24.76 49.51	150 180	4 6	M10	

Counterbore dimensions			Allowable force (N)		Allowable force (kgf)		Backlash (mm)	Weight (kg)	Catalog Number
H	I	J	Bending strength	Surface durability	Bending strength	Surface durability			
5	8	4.5	1530	641	156	65.3	0.04~0.14	0.54 1.08	● <b>KRGFD1-500J</b> ● <b>KRGFD1-1000J</b>
6	10	6	3450	1440	352	147	0.04~0.14	1.07 2.14	● <b>KRGFD1.5-500J</b> ● <b>KRGFD1.5-1000J</b>
7	11	7	6130	2560	625	261	0.05~0.16	1.78 3.58	● <b>KRGFD2-500J</b> ● <b>KRGFD2-1000J</b>
8.6	14	9	9580	4010	977	408	0.05~0.16	2.64 5.31	● <b>KRGFD2.5-500J</b> ● <b>KRGFD2.5-1000J</b>
10.8	17.5	11	13800	5770	1410	588	0.05~0.16	3.62 7.32	● <b>KRGFD3-500J</b> ● <b>KRGFD3-1000J</b>

\* Module 10 and ground racks with total lengths up to (A) 1500mm and heights up to (C) 120mm are also available by request as custom-made products.

## Recommended Mating Pinions



## SSG Ground Spur Gears

Please see Page 58 for more details.

DLS Schmiersysteme  
**Rack & Pinion Lubrication System**  
 PUS lubricated spur gear

Page 474