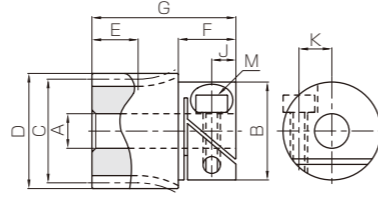
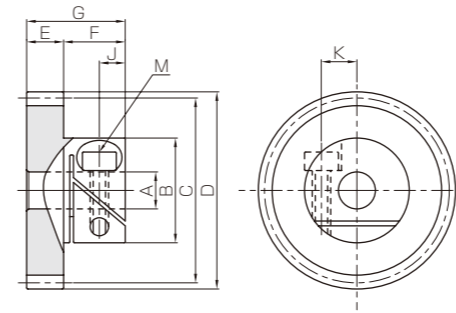


| Specifications  |  |
|-----------------|--|
| Precision grade | JIS grade N8 (JIS B 1702-1: 1998) *<br>Former JIS grade 4 (JIS B 1702: 1976) |
| Gear teeth      | Standard full depth  |
| Pressure angle  | 20°  |
| Material        | SUS303   |
| Heat treatment  | -  |
| Tooth hardness  | (187HB or less)  |

\* The gear grade listed is the value before clamping.  
The precision grade of products with a module of 0.5 or less is equivalent to the value shown in the table.



S3



S1

| Catalog No. | Module | No. of teeth | Shape | Bore |    | Pitch dia. | Outside dia. | Face width | Hub width | Total Length | Hex socket screw |     |     |    |   |    |    |    |     |     |
|-------------|--------|--------------|-------|------|----|------------|--------------|------------|-----------|--------------|------------------|-----|-----|----|---|----|----|----|-----|-----|
|             |        |              |       | AH7  | B  |            |              |            |           |              | C                | D   | E   | F  | G | M  | J  | K  |     |     |
| SUSF0.5-16  | m0.5   | 16           | S3    | 4    | 14 | 8          | 9            | 7          | 8         | 22           | M2.5             | 3.3 | 4.4 |    |   |    |    |    |     |     |
| SUSF0.5-18  |        | 9            |       |      |    | 10         |              |            |           |              |                  |     |     |    |   |    |    |    |     |     |
| SUSF0.5-20  |        | 10           |       |      |    | 11         |              |            |           |              |                  |     |     |    |   |    |    |    |     |     |
| SUSF0.5-24  |        | 12           |       | 13   |    |            |              |            |           |              |                  |     |     |    |   |    |    |    |     |     |
| SUSF0.5-25  |        | 12.5         |       | 13.5 |    |            |              |            |           |              |                  |     |     |    |   |    |    |    |     |     |
| SUSF0.5-28  |        | 14           |       | 15   |    |            |              |            |           |              |                  |     |     |    |   |    |    |    |     |     |
| SUSF0.5-30  |        | S1           | 30    | 6    | 17 | 15         | 16           | 5          | 10        | 15           | M3               | 4.5 | 5.7 |    |   |    |    |    |     |     |
| SUSF0.5-32  |        |              | 16    |      |    | 17         |              |            |           |              |                  |     |     |    |   |    |    |    |     |     |
| SUSF0.5-35  |        |              | 17.5  |      |    | 18.5       |              |            |           |              |                  |     |     |    |   |    |    |    |     |     |
| SUSF0.5-36  |        |              | 18    | 19   |    |            |              |            |           |              |                  |     |     |    |   |    |    |    |     |     |
| SUSF0.5-40  |        |              | 20    | 21   |    |            |              |            |           |              |                  |     |     |    |   |    |    |    |     |     |
| SUSF0.5-45  |        |              | 22.5  | 23.5 |    |            |              |            |           |              |                  |     |     |    |   |    |    |    |     |     |
| SUSF0.5-48  | 24     | 25           | 8     | 19   | 25 | 26         | 14           | 19         | M4        | 5.3          | 7.7              |     |     |    |   |    |    |    |     |     |
| SUSF0.5-50  | 25     | 26           |       |      |    |            |              |            |           |              |                  |     |     |    |   |    |    |    |     |     |
| SUSF0.5-60  | 30     | 31           |       |      |    |            |              |            |           |              |                  |     |     |    |   |    |    |    |     |     |
| SUSF0.5-64  | 32     | 33           |       |      |    |            |              |            |           |              |                  |     |     |    |   |    |    |    |     |     |
| SUSF0.5-70  | 35     | 36           |       |      |    |            |              |            |           |              |                  |     |     |    |   |    |    |    |     |     |
| SUSF0.5-80  | 40     | 41           |       |      |    |            |              |            |           |              |                  |     |     |    |   |    |    |    |     |     |
| SUSF0.5-90  | 45     | 46           | 10    | 24   | 50 | 51         | 14           | 19         | M4        | 5.3          | 7.7              |     |     |    |   |    |    |    |     |     |
| SUSF0.5-100 | 50     | 51           |       |      |    |            |              |            |           |              |                  |     |     |    |   |    |    |    |     |     |
| SUSF0.5-120 | 60     | 61           |       |      |    |            |              |            |           |              |                  |     |     |    |   |    |    |    |     |     |
| SUSF1-14    | m1     | 14           |       |      | S3 | 6          |              |            |           |              |                  | 17  | 14  | 16 | 8 | 10 | 25 | M3 | 4.5 | 5.7 |
| SUSF1-15    |        | 15           |       |      |    |            |              |            |           |              |                  |     | 17  |    |   |    |    |    |     |     |
| SUSF1-16    |        | 16           |       |      |    |            |              |            |           |              |                  |     | 18  |    |   |    |    |    |     |     |
| SUSF1-18    |        | 18           | 20    |      |    |            |              |            |           |              |                  |     |     |    |   |    |    |    |     |     |
| SUSF1-20    |        | 20           | 22    |      |    |            |              |            |           |              |                  |     |     |    |   |    |    |    |     |     |
| SUSF1-24    |        | 24           | 26    |      |    |            |              |            |           |              |                  |     |     |    |   |    |    |    |     |     |
| SUSF1-25    |        | 25           | 27    | 8    | 19 | 28         | 30           | 6          | 16        | M3           | 4.5              | 6   |     |    |   |    |    |    |     |     |
| SUSF1-28    |        | 28           | 30    |      |    |            |              |            |           |              |                  |     |     |    |   |    |    |    |     |     |
| SUSF1-30    |        | 30           | 32    |      |    |            |              |            |           |              |                  |     |     |    |   |    |    |    |     |     |
| SUSF1-32    |        | 32           | 34    |      |    |            |              |            |           |              |                  |     |     |    |   |    |    |    |     |     |
| SUSF1-35    |        | 35           | 37    |      |    |            |              |            |           |              |                  |     |     |    |   |    |    |    |     |     |
| SUSF1-36    |        | 36           | 38    |      |    |            |              |            |           |              |                  |     |     |    |   |    |    |    |     |     |
| SUSF1-40    | 40     | 42           | 10    | 24   | 45 | 47         | 14           | 20         | M4        | 5.3          | 7.7              |     |     |    |   |    |    |    |     |     |
| SUSF1-45    | 45     | 47           |       |      |    |            |              |            |           |              |                  |     |     |    |   |    |    |    |     |     |
| SUSF1-48    | 48     | 50           |       |      |    |            |              |            |           |              |                  |     |     |    |   |    |    |    |     |     |
| SUSF1-50    | 50     | 52           |       |      |    |            |              |            |           |              |                  |     |     |    |   |    |    |    |     |     |
| SUSF1-60    | 60     | 62           |       |      |    |            |              |            |           |              |                  |     |     |    |   |    |    |    |     |     |
| SUSF1-64    | 64     | 66           |       |      |    |            |              |            |           |              |                  |     |     |    |   |    |    |    |     |     |
| SUSF1-70    | 70     | 72           | 10    | 24   | 80 | 82         | 14           | 20         | M4        | 5.3          | 7.7              |     |     |    |   |    |    |    |     |     |
| SUSF1-80    | 80     | 82           |       |      |    |            |              |            |           |              |                  |     |     |    |   |    |    |    |     |     |
| SUSF1-90    | 90     | 92           |       |      |    |            |              |            |           |              |                  |     |     |    |   |    |    |    |     |     |
| SUSF1-100   | 100    | 102          |       |      |    |            |              |            |           |              |                  |     |     |    |   |    |    |    |     |     |

| Allowable torque (N·m) |                    | Allowable torque (kgf·m) |                    | Ref. slipping torque /<br>Standard screw tightening torque (N·m) | Backlash<br>(mm) | Weight<br>(g) | Catalog No. |
|------------------------|--------------------|--------------------------|--------------------|--|------------------|---------------|-------------|
| Bending strength       | Surface durability | Bending strength         | Surface durability |  |                  |               |             |
| 0.40                   | 0.023              | 0.040                    | 0.0023             | 0.62 / 0.36  | 0~0.10           | 13.7          | SUSF0.5-16  |
| 0.47                   | 0.030              | 0.048                    | 0.0031             |  |                  | 15.2          | SUSF0.5-18  |
| 0.56                   | 0.038              | 0.057                    | 0.0039             |  |                  | 16.9          | SUSF0.5-20  |
| 0.72                   | 0.056              | 0.074                    | 0.0057             | 0.62 / 0.36  |                  | 19.7          | SUSF0.5-24  |
| 0.76                   | 0.061              | 0.078                    | 0.0062             |  |                  | 20.8          | SUSF0.5-25  |
| 0.89                   | 0.079              | 0.091                    | 0.0080             |  |                  | 15.7          | SUSF0.5-28  |
| 0.98                   | 0.091              | 0.10                     | 0.0093             | 1.79 / 0.63  |                  | 16.6          | SUSF0.5-30  |
| 0.76                   | 0.075              | 0.078                    | 0.0077             |  |                  | 22.2          | SUSF0.5-32  |
| 0.86                   | 0.088              | 0.088                    | 0.009              |  |                  | 23.8          | SUSF0.5-35  |
| 0.89                   | 0.096              | 0.091                    | 0.010              |  |                  | 24.3          | SUSF0.5-36  |
| 1.02                   | 0.12               | 0.10                     | 0.012              |  |                  | 26.6          | SUSF0.5-40  |
| 1.18                   | 0.15               | 0.12                     | 0.015              |  |                  | 29.9          | SUSF0.5-45  |
| 1.28                   | 0.17               | 0.13                     | 0.018              | 32.0   | SUSF0.5-48       |               |             |
| 1.34                   | 0.19               | 0.14                     | 0.019              | 2.22 / 0.63  | 33.5             | SUSF0.5-50    |             |
| 1.67                   | 0.28               | 0.17                     | 0.029              |  | 43.8             | SUSF0.5-60    |             |
| 1.81                   | 0.32               | 0.18                     | 0.033              |  | 47.6             | SUSF0.5-64    |             |
| 2.01                   | 0.39               | 0.20                     | 0.040              | 4.50 / 1.50  | 53.8             | SUSF0.5-70    |             |
| 2.34                   | 0.51               | 0.24                     | 0.052              |  | 86.8             | SUSF0.5-80    |             |
| 2.68                   | 0.66               | 0.27                     | 0.067              |  | 99.8             | SUSF0.5-90    |             |
| 3.02                   | 0.82               | 0.31                     | 0.084              |  | 114              | SUSF0.5-100   |             |
| 3.69                   | 1.21               | 0.38                     | 0.123              |  | 148              | SUSF0.5-120   |             |
| 1.46                   | 0.088              | 0.15                     | 0.0090             |  | 1.79 / 0.63      | 32.8          | SUSF1-14    |
| 1.63                   | 0.10               | 0.17                     | 0.010              | 35.6   |                  | SUSF1-15      |             |
| 1.81                   | 0.12               | 0.18                     | 0.012              | 38.6   |                  | SUSF1-16      |             |
| 2.17                   | 0.15               | 0.22                     | 0.015              | 26.1   |                  | SUSF1-18      |             |
| 1.90                   | 0.14               | 0.19                     | 0.015              | 28.9   |                  | SUSF1-20      |             |
| 2.48                   | 0.21               | 0.25                     | 0.021              | 35.3   |                  | SUSF1-24      |             |
| 2.62                   | 0.23               | 0.27                     | 0.023              | 37.1   |                  | SUSF1-25      |             |
| 3.06                   | 0.29               | 0.31                     | 0.030              | 43.0   |                  | SUSF1-28      |             |
| 3.36                   | 0.34               | 0.34                     | 0.034              | 48.9   |                  | SUSF1-30      |             |
| 3.66                   | 0.39               | 0.37                     | 0.039              | 53.5   |                  | SUSF1-32      |             |
| 4.12                   | 0.47               | 0.42                     | 0.047              | 2.22 / 0.63  |                  | 60.9          | SUSF1-35    |
| 4.27                   | 0.49               | 0.44                     | 0.050              |  |                  | 63.5          | SUSF1-36    |
| 4.89                   | 0.62               | 0.50                     | 0.063              |  | 74.7             | SUSF1-40      |             |
| 5.66                   | 0.79               | 0.58                     | 0.081              |  | 90.3             | SUSF1-45      |             |
| 6.14                   | 0.91               | 0.63                     | 0.093              |  | 101              | SUSF1-48      |             |
| 6.45                   | 0.99               | 0.66                     | 0.10               |  | 129              | SUSF1-50      |             |
| 8.03                   | 1.45               | 0.82                     | 0.15               | 169  | SUSF1-60         |               |             |
| 8.67                   | 1.66               | 0.88                     | 0.17               | 188  | SUSF1-64         |               |             |
| 9.63                   | 2.00               | 0.98                     | 0.20               | 217  | SUSF1-70         |               |             |
| 11.2                   | 2.65               | 1.15                     | 0.27               | 272  | SUSF1-80         |               |             |
| 12.9                   | 3.40               | 1.31                     | 0.35               | 335  | SUSF1-90         |               |             |
| 14.5                   | 4.25               | 1.48                     | 0.43               | 405  | SUSF1-100        |               |             |

- [Caution on Product Characteristics]
- The allowable torques shown in the table are calculated values according to the assumed usage conditions. Please see Page 31 for more details.
  - The backlash values shown in the table are the theoretical values for the backlash in the normal direction of a pair of identical gears in mesh.
  - F-Loc gears are attached to the shaft by a friction coupling. Recommended shaft tolerances are g6, h6, or h7. Torque slippage should be considered when making a selection.
  - Do not tighten the clamping screw without inserting a shaft, or the bore will be permanently deformed and will not accept a shaft.
  - The tooth (SUS303) and hub (SUS303) mating section has a rotation-stop pin inserted.

- [Caution on Secondary Operations] ① Avoid performing secondary operations, as this is a complete product.