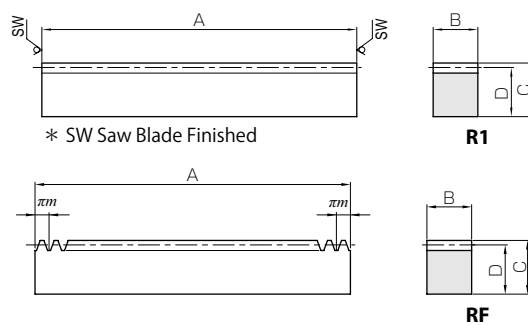




Specifications	
Precision grade	KHK R 001 grade 5 *
Gear teeth	Standard full depth
Pressure angle	20°
Material	MC901
Heat treatment	—
Tooth hardness	(115 ~ 120HRR)

\* The precision grade of this product is equivalent to the value shown in the table.



Spur Gears

Helical Gears

Internal Gears

Racks

Catalog No.	Module	Effective no. of teeth	Shape	Total length	Face width	Height	Height to pitch line	Allowable force (N)		Weight (kg)
				A	B	C	D	Bending strength	Bending strength	
<b>PR1-500</b>	<b>m1</b>	159	R1	505	10	12	11	92.8	9.46	0.064
<b>PR1.5-500</b> <b>PR1.5-1000</b>	<b>m1.5</b>	105 212	R1	505 1010	15	20	18.5	209	21.3	0.16 0.33
<b>PR2-500</b> <b>PR2-1000</b>	<b>m2</b>	79 159	R1	505 1010	20	25	23	371	37.9	0.27 0.54
<b>PR2.5-500</b> <b>PR2.5-1000</b>	<b>m2.5</b>	63 127	R1	505 1010	25	30	27.5	580	59.2	0.40 0.81
<b>PR3-500</b> <b>PR3-1000</b>	<b>m3</b>	52 105	R1	505 1010	30	35	32	835	85.2	0.56 1.12

Catalog No.	Module	No. of teeth	Shape	Total length	Face width	Height	Height to pitch line	Allowable force (N)		Weight (kg)
				A	B	C	D	Bending strength	Bending strength	
<b>PRF1.5-1000</b>	<b>m1.5</b>	212	RF	999.03	15	20	18.5	209	21.3	0.32
<b>PRF2-1000</b>	<b>m2</b>	160	RF	1005.31	20	25	23	371	37.9	0.54
<b>PRF2.5-1000</b>	<b>m2.5</b>	128	RF	1005.31	25	30	27.5	580	59.2	0.80
<b>PRF3-1000</b>	<b>m3</b>	106	RF	999.03	30	35	32	835	85.2	1.11

[Caution on Product Characteristics]

- The allowable forces shown in the table are the calculated values according to the assumed usage conditions. Please see Page 189 for more details.
- The backlash of racks differ depending on the size of the mating pinion. Please calculate the backlash from the backlash value of the mating pinion. Also, please refer to the data in the section called 'Backlash of Rack Tooth (Amount of Tooth Thinning)' on Page 191.
- Dimensions of Plastic Racks vary due to temperature and humidity. A 10° C rise in the ambient temperature will cause 0.45 mm increase in the length per 1000 mm. A 2% moisture absorption will cause approx. 5 mm increase in the length per 1000 mm. Please see the section "Design of Plastic Gears" in separate technical reference book. (Page 101).
- The straightness deviation of Plastic Racks is less than 5mm per meter. However, for Plastic Racks with the total length of 1000 mm, the value may exceed 5 mm due to age deterioration. You may correct this error by using the bottom surface as the reference when attaching the racks.

[Caution on Secondary Operations]

- Please read "Caution on Performing Secondary Operations" (Page 192) when performing modifications and/or secondary operations for safety concerns. KHK Quick-Mod Gears, the KHK's system for quick modification of KHK stock gears is also available.
- Plastic gears are susceptible to the effects of temperature and moisture. Dimensional changes may occur while performing secondary operations and during post-machining operations. It is recommended to modify mounting holes and the attaching portions at the same time when stringing together racks for use.

Miter Gears

Bevel Gears

Screw Gears

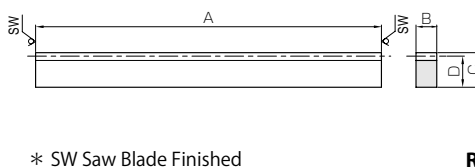
Worm Gear Pair

Bevel Gearboxes

Other Products



Specifications	
Precision grade	KHK R 001 grade 4
Gear teeth	Standard full depth
Pressure angle	20°
Material	Free cutting brass (C3604)
Heat treatment	—
Tooth hardness	(more than 80HV)



Catalog No.	Module	Effective no. of teeth	Shape	Total length	Face width	Height	Height to pitch line	Allowable force (N)		Allowable force (kgf)		Weight (kg)
				A	B	C	D	Bending strength	Surface durability	Bending strength	Surface durability	
<b>BSR0.5-300</b>	<b>m0.5</b>	190	R1	303	3	9	8.5	28.7	—	2.93	—	0.066
<b>BSR0.8-300</b>	<b>m0.8</b>	118	R1	303	4	10	9.2	61.3	—	6.25	—	0.095
<b>BSR1-300</b>	<b>m1</b>	94	R1	303	6	10	9	115	—	11.7	—	0.14

[Caution on Product Characteristics]

- The allowable forces shown in the table are the calculated values according to the assumed usage conditions. Please see Page 189 for more details.
- The backlash of racks differ depending on the size of the mating pinion. Please calculate the backlash from the backlash value of the mating pinion. Also, please refer to the data in the section called 'Backlash of Rack Tooth (Amount of Tooth Thinning)' on Page 191.

[Caution on Secondary Operations]

- Please read "Caution on Performing Secondary Operations" (Page 192) when performing modifications and/or secondary operations for safety concerns. KHK Quick-Mod Gears, the KHK's system for quick modification of KHK stock gears is also available.